

REV	DATE	MODIFICATION	DRAWN

A

B

C

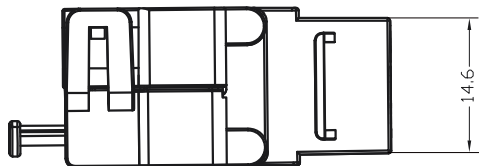
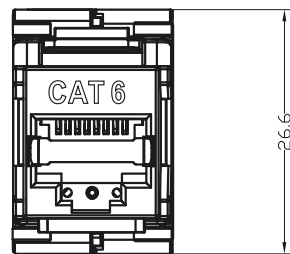
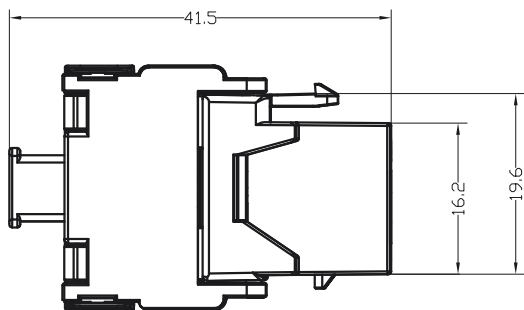
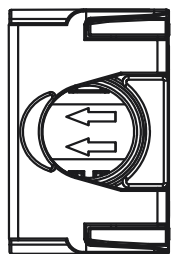
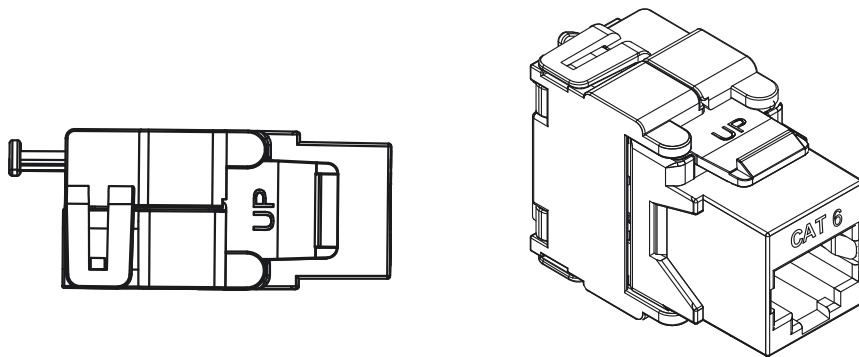
D

A

B

C

D



## NOTES:

## ELECTRICAL:

1. VOLTAGE RATING : 125 VAC RMS
2. CURRENT RATING : 1.5 AMP
3. CONTACT RESISTANCE : 100 MILLIOHMS MAX
4. INSULATION RESISTANCE: 1000 MEGOHMS MIN @ 500 VDC
5. DIELECTRIC STRENGTH : 750 VAC RMS 60Hz,1MIN

## ENVIRONMENTAL:

1. STORAGE : -40° TO +70°
2. OPERATION: -10° TO +60°

CONFORM TO TIA/EIA 568B CATEGORY 6

MATES WITH MODULAR PLUG CONFORMING TO FCC PART 68, SUBPART F.

## MECHANICAL:

- 1.SHIELD MATERIAL : BRASS T=0.30mm NICKEL PLATING
- 2.HOUSING MATERIAL : Kirsite
- 3.INSERT MATERIAL : ABS
- 4.PCB MATERIAL : FR-4 T=1.6mm
- 5.CONTACT MATERIAL : PHOSPHOR BRONZE STAMP PIN T=0.35mm
- 6.IDC CONTACT MATERIAL: PHOSPHOR BRONZE T=0.50mm WITH TIN PLATING
- 7.RJ45 JACK LIFE : 750 TIMES MIN
- 8.IDC LIFE : 200 TIMES MIN
- 9.WIRE : AWG 22~24
- 10.TIA Cat 6 Perm. Link Test: Worst pair NEXT margin  $\geq$  5.0dB
- 11.Retentiveness of insertion structure: 50N 60 $\pm$ 5s

DIMENSION IN mm (Inch) TOLERANCE UNLESS OTHERWISE SPECIFIED		MATERIAL	DWG NO.	
.X $\pm$ 0.10	.X $^{\circ}$ $\pm$ 5 $^{\circ}$	TITLE 1031S CAT. 6		
.XX $\pm$ 0.05	.XX $^{\circ}$ $\pm$ 2 $^{\circ}$			
APPROVAL	CHECKED	DRAWN	SCALE 1/1	SHEET 1/1
		NICK	PROJ.	REV

1

2

3

4

5

6

7